

## Notes:

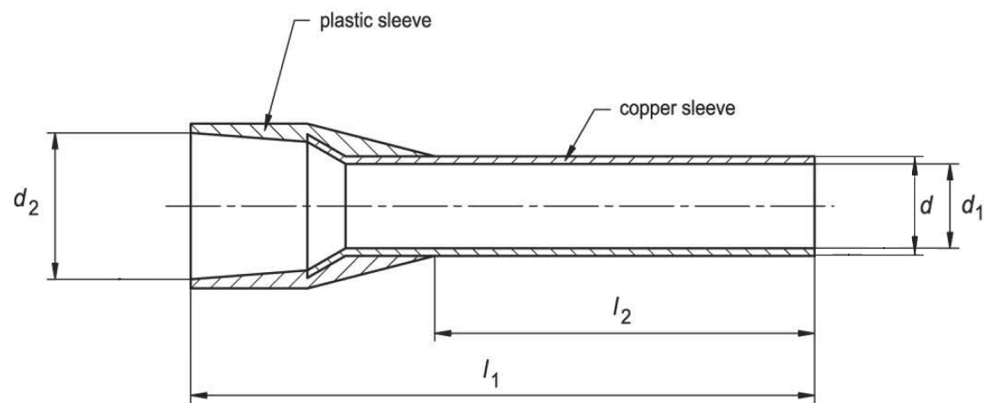
1. Maximum Electric Current: 95A
2. Maximum Electric Rating: 105°C 600 Volts Max
3. Insulation Material: Nylon
4. Insulation Color: Blue
5. Terminal Material: Copper
6. Wire Range: True 6 AWG (13.3mm<sup>2</sup>)

## Standard (Metric)

L1: 0.87 (22.0mm)  
L2: 0.47 (12.0mm)  
D: 0.21 (5.24mm)  
D1: 0.19 (4.8mm)  
D2: 0.35 (8.8mm)

## Tolerances

(Unless Otherwise Specified)



<b>CATEGORY</b>	Insulated Wire Ferrule	<b>SCALE</b>	4/1
<b>PART #</b>	AD130012	<b>SHEET</b>	1-1
<b>MATERIAL</b>	Tin-Plated Copper	<b>PAGE</b>	