

Notes:

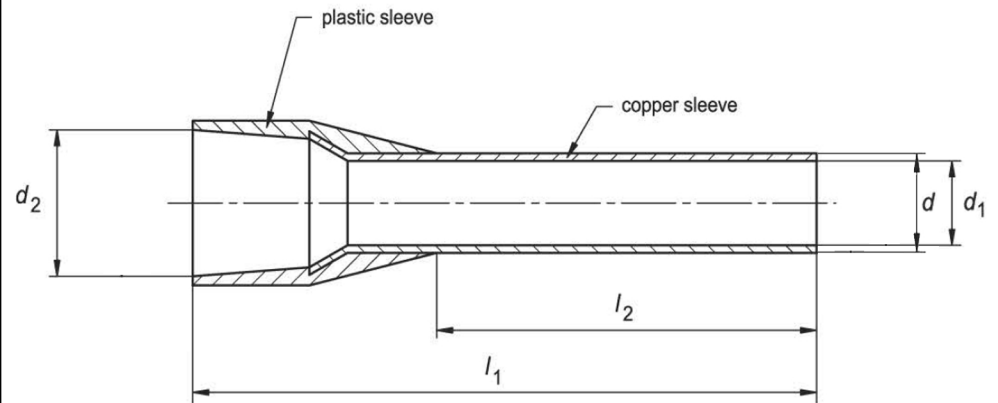
1. Maximum Electric Current: 95A
2. Maximum Electric Rating: 105°C 600 Volts Max
3. Insulation Material: Nylon
4. Insulation Color: Light Blue
5. Terminal Material: Copper
6. Wire Range: 6 AWG (16.00mm²)

Standard (Metric)

L1: 0.95 (24.0mm)
L2: 0.47 (12.0mm)
D: 0.24 (6.2mm)
D1: 0.29 (5.8mm)
D2: 0.35 (8.8mm)

Tolerances

(Unless Otherwise Specified)



| | | | |
|-----------------|------------------------|--------------|-----|
| CATEGORY | Insulated Wire Ferrule | SCALE | 4/1 |
| PART # | AD160012LB | SHEET | 1-1 |
| MATERIAL | Tin-Plated Copper | PAGE | |

