

Notes:

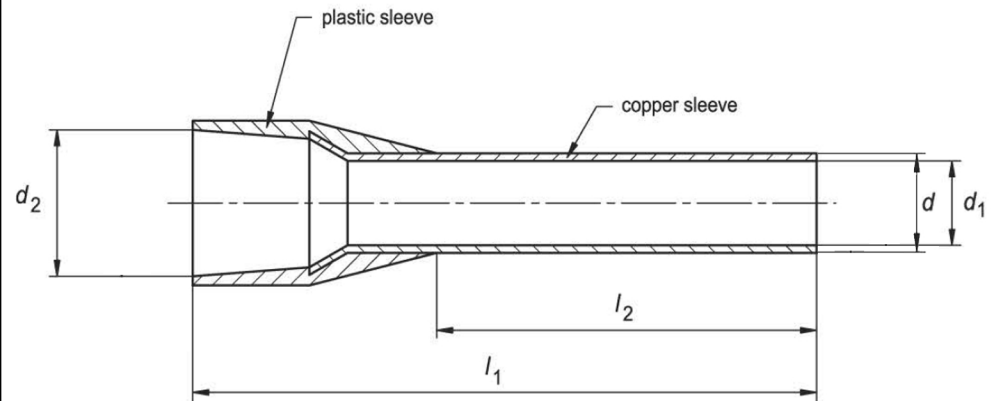
1. Maximum Electric Current: 12A
2. Maximum Electric Rating: 105°C 600 Volts Max
3. Insulation Material: Nylon
4. Insulation Color: Orange
5. Terminal Material: Copper
6. Wire Range: 22-20 AWG (0.50-0.75mm²)

Standard (Metric)

L1: 0.63 (16.0mm)
L2: 0.39 (10.0mm)
D: 0.051 (1.3mm)
D1: 0.039 (1.0mm)
D2: 0.102 (2.6mm)

Tolerances

(Unless Otherwise Specified)



CATEGORY

Insulated Wire Ferrule

SCALE

4/1

PART

AW05010

SHEET

1-1

MATERIAL

Tin-Plated Copper

PAGE



FerrulesDirect

