

## Notes:

1. Cross Section: 300MCM
2. Maximum Electric Current: 445AMP
3. Maximum Electric Rating: 105°C
4. Voltage Rating: 2000V
5. Terminal Material: Copper
6. Terminal Surface Treatment: Tin Plating

### Standard (Metric)

L1: 38.0mm (1.50")  
D: 20.6mm (0.41")  
D1: 19.6mm (0.77")  
D2: 23.0mm (0.91")

### Tolerances

(Unless Otherwise Specified)

#### CATEGORY

Non Insulated Wire Ferrules

#### SCALE

1-1

#### PART #

N1500038

#### MATERIAL

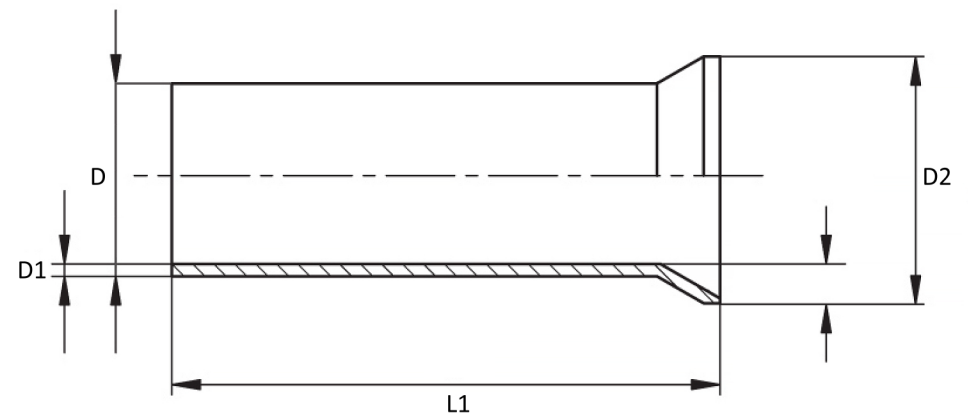
Tin-Plated Copper

#### PAGE

10F2



# FerrulesDirect



For applicable tools, visit our website: [www.FerrulesDirect.com](http://www.FerrulesDirect.com)