

Notes:

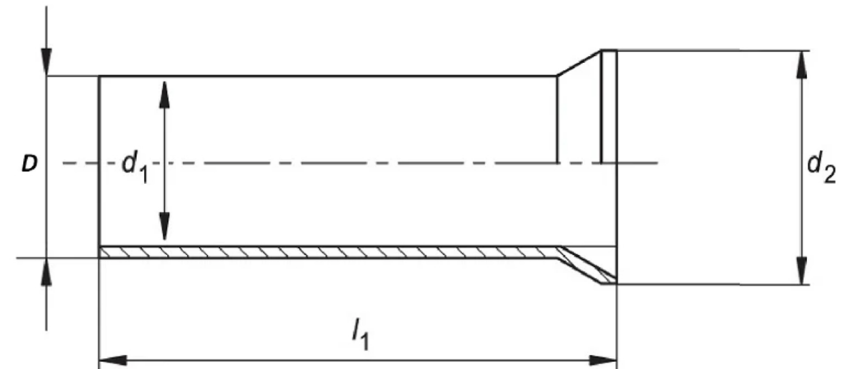
1. Terminal Material: Tin Plated Copper
2. Wire Size: 6 AWG
3. Max Electrical Current: 95 AMP
4. Max Electrical Rating: Up to 600V
5. Temperature Rating: 302°F (150°C)

Metric (Standard)

L1: 15.0mm (0.59")
D: 6.4mm (0.25")
D1: 5.8mm (0.23")
D2: 7.5mm (0.295")

Tolerances

(Unless Otherwise Specified)



CATEGORY

Non Insulated
Wire Ferrules

SCALE

4/1

PART #

N160015

SHEET

MATERIAL

Tin Plated Copper

PAGE



FerrulesDirect

