

Notes:

1. Terminal Material: Copper
2. Wire Size: 6 AWG (16.00mm²)
3. Max Electrical Current: 95 AMP
4. Max Electrical Rating: 600V
5. Surface Treatment: Tin Plating
6. Temperature Rating: 302°F (150°C)

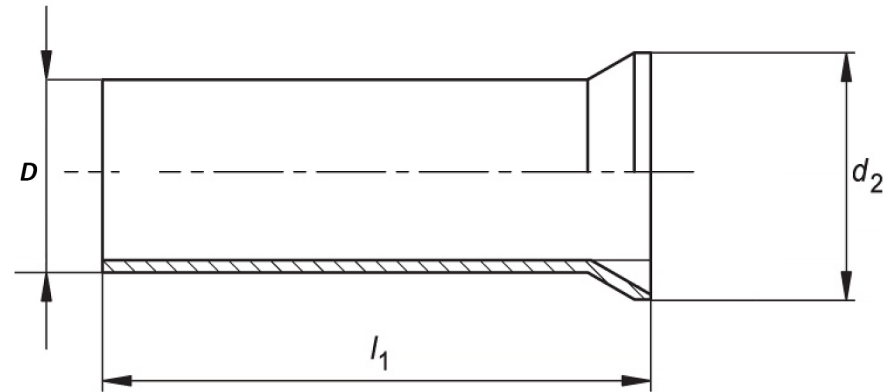
Metric (Standard)

L1: 20.0mm (0.78")
D: 6.4mm (0.25")
D1: 5.8mm (0.23")
D2: 7.5mm (0.295")

Tolerances

(Unless Otherwise Specified)

Up to +/- 5%



CATEGORY

Non Insulated
Wire Ferrules

SCALE

4/1

PART #

N160020

SHEET

MATERIAL

Tin Plated Copper

PAGE



FerrulesDirect

