

## Notes:

1. Cross Section: True 14 AWG
2. Maximum Electric Current: 30AMP
3. Maximum Electric Rating: 105°C
4. Voltage Rating: 2000V
5. Terminal Material: Copper
6. Terminal Surface Treatment: Tin Plating

### Standard (Metric)

L1: 0.78" (20.0mm)  
D: 0.09" (2.5mm)  
D1: 0.07" (1.9mm)  
D2: 0.11" (2.9mm)

### Tolerances

(Unless Otherwise Specified)

#### CATEGORY

Non Insulated Wire Ferrules

#### SCALE

1-1

#### PART #

N20020

#### MATERIAL

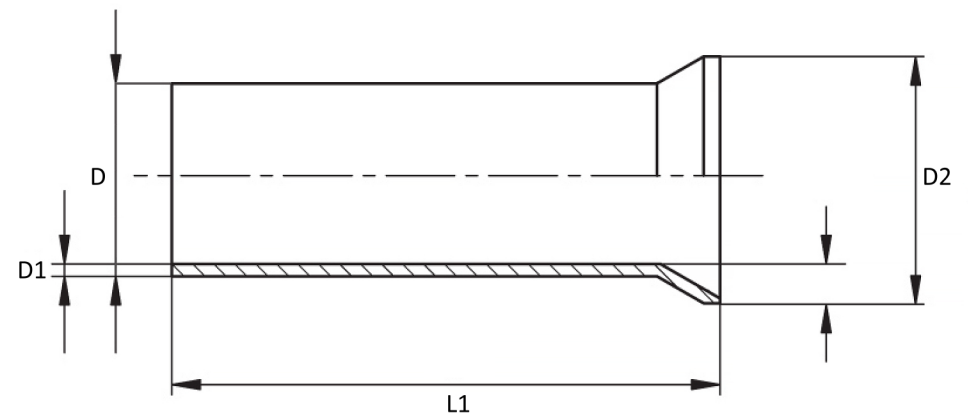
Tin-Plated Copper

#### PAGE

10F2



# FerrulesDirect



For applicable tools, visit our website: [www.FerrulesDirect.com](http://www.FerrulesDirect.com)