

## Notes:

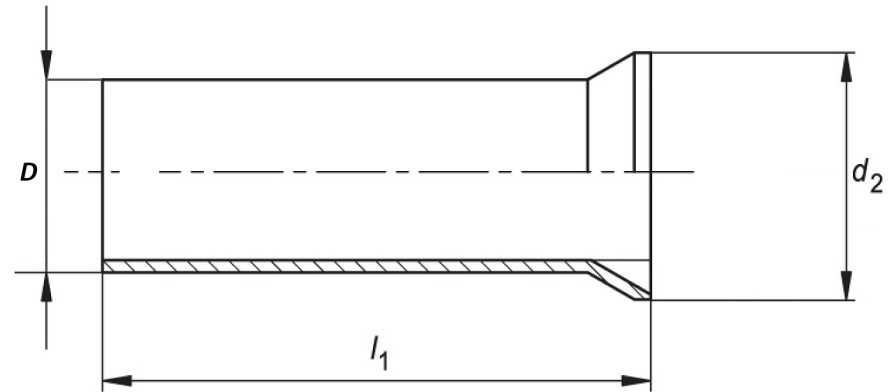
1. Terminal Material: Copper
2. Wire Size: 3/0 AWG
3. Max Electrical Current: 200 AMP
4. Max Electrical Rating: 600V
5. Surface Treatment: Tin Plating
6. Temperature Rating: 302°F (150°C)

### Metric (Standard)

L1: 32.0mm (1.26")  
D: 15.2mm (0.60")  
D1: 14.5mm (0.57")  
D2: 17.3mm (0.68")

### Tolerances

(Unless Otherwise Specified)



CATEGORY

Non Insulated  
Wire Ferrules

SCALE

4/1

PART #

N950032

SHEET

MATERIAL

Tin Plated Copper

PAGE



FerrulesDirect

